

CONTENTS

SG Hand Lubricator.....	2
DZGK Motorized Grease Lubricator(20702 pump).....	4
DZG Motorized Grease Lubricator(20703 pump).....	9
Application of Motorized Grease Lubricator.....	12
TC-2 Grease Controller.....	13
Y6020 Electric Grease Pump.....	13
SQ Hand Grease Filler Series.....	14
QZ High Pressure Oil Injector.....	14
MONO Progressive Distributor.....	15
M2500 Progressive Distributor.....	16
DJF1000 Series Distributor.....	19
DJF2000 series Distributor.....	20
DJF3000 series Distributor.....	21
ELS Grease Filter.....	23
LS Grease Filter.....	23
Vent Valves (33080).....	24
SL Series Injectors (P.N. 33081).....	25
BL Series Adjustable Injector.....	25
DLX Single Injector.....	26
Accessories.....	27
Sleeve of tube.....	27
High pressure tubes.....	27
Reusable hose tail for hose.....	27
Tube clamp	28
Elbow compression fittings... ..	29
6mm straight fittings.....	29
Tube-Tube connector.....	30
Union double.....	30
Extended straight coupling.....	30
Compression bushing.....	31
90° Elbow Coupling.....	31
Reducer coupling.....	31
Spring cover.....	32
High pressure flexible assemblies and Brush.....	32

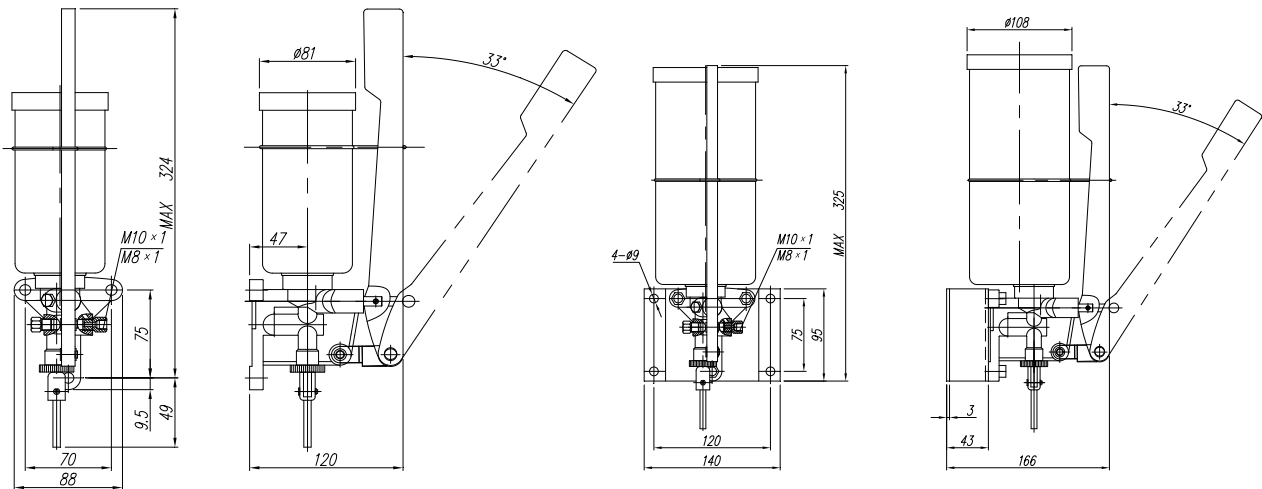
SG Hand Lubricator



20601



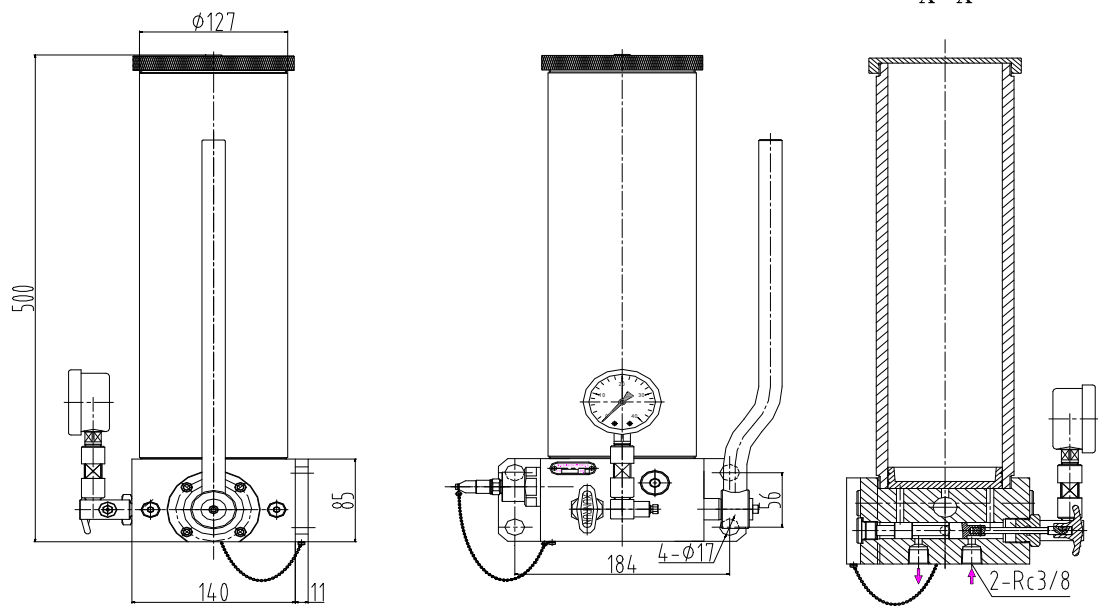
20602



P/N	Model	Pressure (MPa)	Discharge per stroke (ml)	reservoir (L)	Lubrication system	Grease range	W.g.t
20601	SG-1×0.4	15	1	0.4	PDI	NLGI 000#~0#	1.9
20602			1	0.4	PRG		
20603	SG-1×1		1	1	PDI		2.7
20604			1	1	PRG		

Note: Optional outlet threads M8 × 1 and M10 × 1 are available for your choice. Please specify the outlet SG-1×0.4 and reservoir at time of order.

For Example: SG-1×0.4 20601 M8×1;

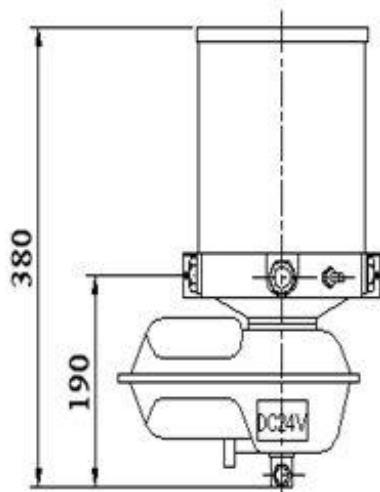
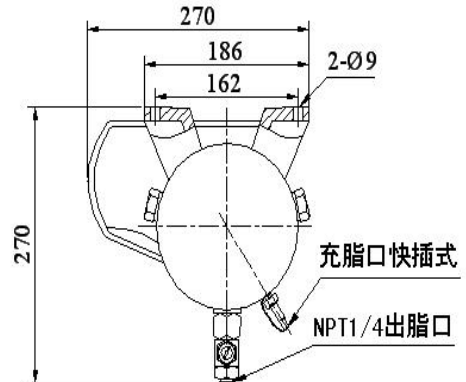


P/N	Model	Pressure (MPa)	Discharge per stroke(ml)	reservoir (L)	Lubrication system	Grease range	Output Thread
20605	SG-1x3.5	7	8.0	3.5	PDI	NLGI 000#~2#	Rc3/8

DZGK Grease Lubricator(P/N:20702)



Two options: Plastic or aluminum



20702-Number of outlet

Note: Optional outlet threads M12 × 1.5 and Rp1/4 are available for your choice.
Please specify the outlet and reservoir at time of order.

Parameter:

Power voltage	12、24VDC
Timer	Timer-1、Timer-2 or without Timer
Motor Power	50W
Max. pressure	25MPa
Single outlet discharge	5.5ml/min
Number of outlet	1~3
Reservoir	2L (plastics)
Grease range	NLGI 000#~00#2
Protection	IP65
Interval	2 minutes to 15 hours
Running time	4 seconds to 37.5 minutes
Current	when loaded 3A

20702 Models

P/N	Model	Outlets	Voltage (V)	Timer
207021120	P20702-1N-12V-0T	1	12VDC	0
207022121	P20702-2N-12V-1T	2	12VDC	1
207022241	P20702-2N-24V-1T	2	24VDC	1
207023242	P20702-3N-24V-2T	3	24VDC	2

P/N'S Code Pump Models 20702

Examples for Model Designation

P20702 - 1N - 12V - 0T
P20702 - 1N - 12V - 1T
P20702 - 2N - 24V - 1T
P20702 - 3N - 24V - 2T

Grease pump models:

Number of outlets:

X=1-3

standard=1

Operating Voltage:

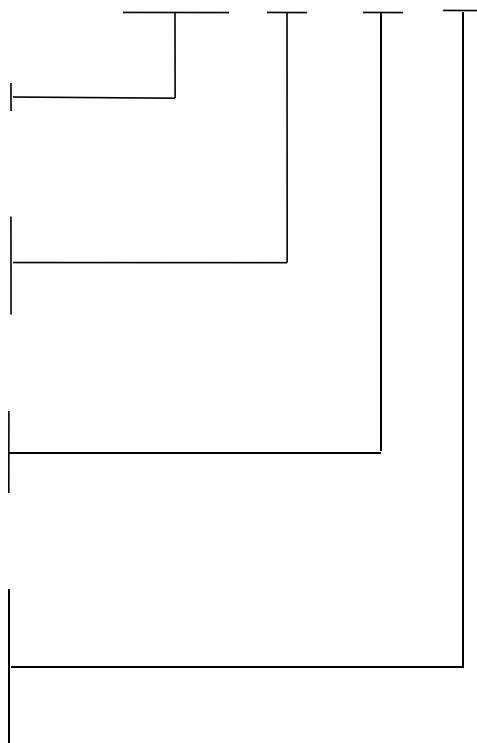
X=DC12V,24V,

Timer Design:

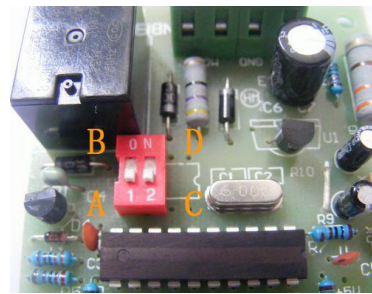
without timer X=0

timer-1 X=1

timer-2 X=2



Grease Timer-1 (P/N:40001)



Working Time

A: Working time (Second)				B: Working time (mins)			
Item	Time	Item	Time	Item	Time	Item	Time
0	4	8	64	0	1	8	20
1	8	9	72	1	2.5	9	22.5
2	16	A	80	2	5	A	25
3	24	B	88	3	7.5	B	27.5
4	32	C	96	4	10	C	30
5	40	D	104	5	12.5	D	32.5
6	48	E	112	6	15	E	35
7	56	F	120	7	17.5	F	37.5

Stop Time

C: Stop (min)				D: Stop (Hours)			
Item	Time	Item	Time	Item	Time	Item	Time
0	2	8	32	0	0.5	8	8
1	4	9	36	1	1	9	9
2	8	A	40	2	2	A	10
3	12	B	44	3	3	B	11
4	16	C	48	4	4	C	12
5	20	D	52	5	5	D	13
6	24	E	56	6	6	E	14
7	28	F	60	7	7	F	15

Note: 1.Factory setting: working on Second and stop on minute.

2. If you want to work on mins or stop on hours,you can adjust the key position.

Parameter

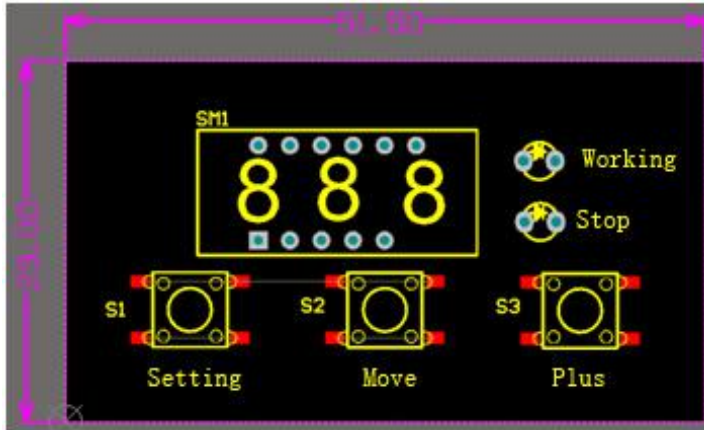
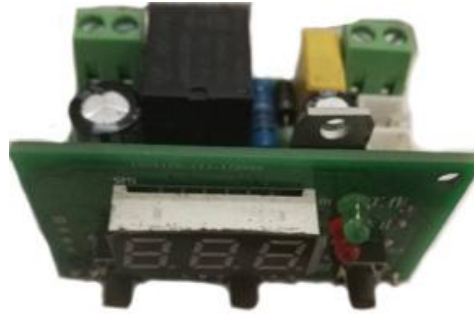
Output: 24VDC±10%

Power: 60VA

Working temperature: -10~50°C



GreaseTimer-2 (P/N:40002)



Main Function Explain:

- 1、 Working time:1-999s ;
- 2、 Idle time:1-999m;
- 3、 The timer can work with the low level switch(switch off when the grease empty),The switch will work again after the grease filled.

When the grease close empty,the timer will alarm and show “ERO” .Fill the grease and the pump will work again.

- 4、 You can operate the pump by press the button.
- 5、 The timer have the power off memory function,If the pump is powered off when it's stop,the pump will work from the stop time.

If the pump is powered off when working,the pump will work again once power on.

How to set the timer

1 st step	Press “setting” for 3 seconds	Setting the working time “T1”(the working light is on)	Press the “move” and “plus”button to set the number
2 nd step	Press the “setting”	Setting the stop time “T2”(the stop light is on)	Press the “move” and “plus”button to set the number
3 rd step	Press the “setting”	finished	

Voltage: DC24V±5V;


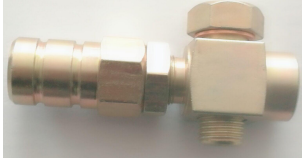
Power: Max.3W;

Temperature:-40-85℃;

Output power:<50W;

Complete piston(Pump element) with relief valve.



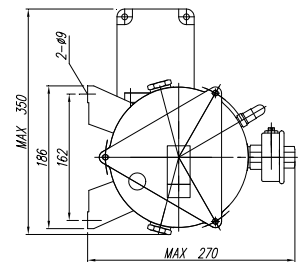
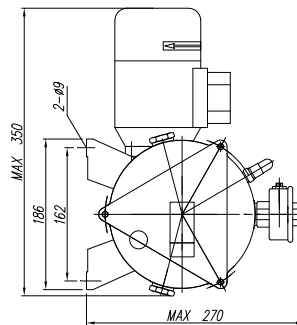
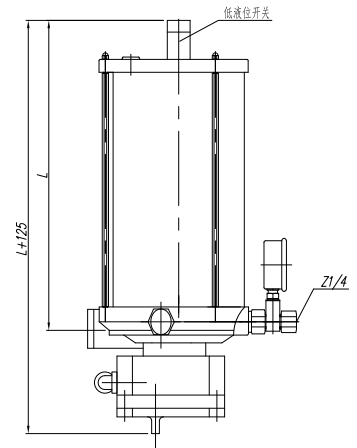
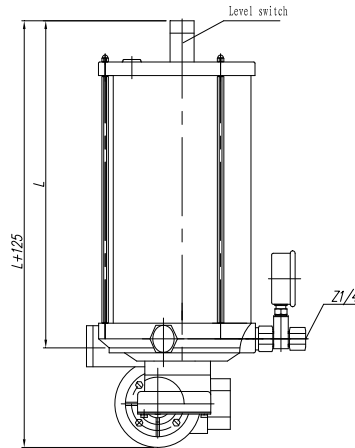
P/N.	Figure	Material	Name.	Note
207001		Steel	Pump Valve	
207002		Steel	Relive Valve	
207003		Steel	Coupling	PT1/4-Φ6

DZG Grease Lubricator(P/N:20703)

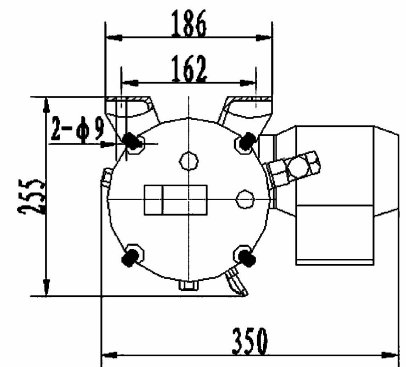
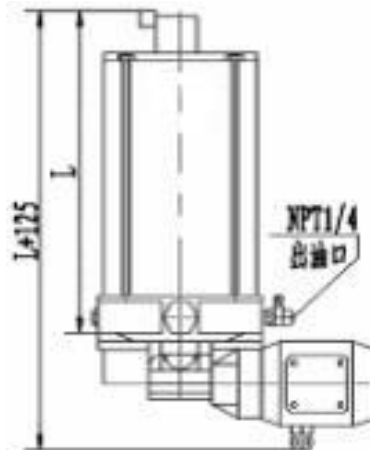
For P/N Refer To P.10



Fill grease from top or from grease nipple

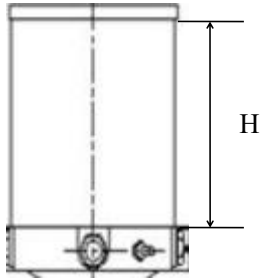


6L with Level Switch



6L with Alu Reservoir

20703 Pumps



Height of Reservoir (L)	2.5	3	4	5	6	8	10	12
H(mm)	186	269	308	358	408	508	608	708

The 20703 centralized lubrication pump is a powerful and robust compact multi-line pump that can drive up to 3 elements and is used in progressive (Quicklub or Modular Lube) automated lubrication systems. It is perfect for mobile applications, small and medium sized machinery and general industries. Versatile, compact and economical, this pump can be enhanced with low-level control and printed circuit board that allow for controlling the lubrication cycles.

The family of 20703 pumps includes 12 and 24VDC, 220 and 380VAC. They are available with 1, 2 or 3 elements in with an adjustable output element. Reservoir sizes are 2.5, 3, 4, 5, 6, 8, 10 or 12 liters. Refer to the pump identification code for a complete listing of available pump configurations.

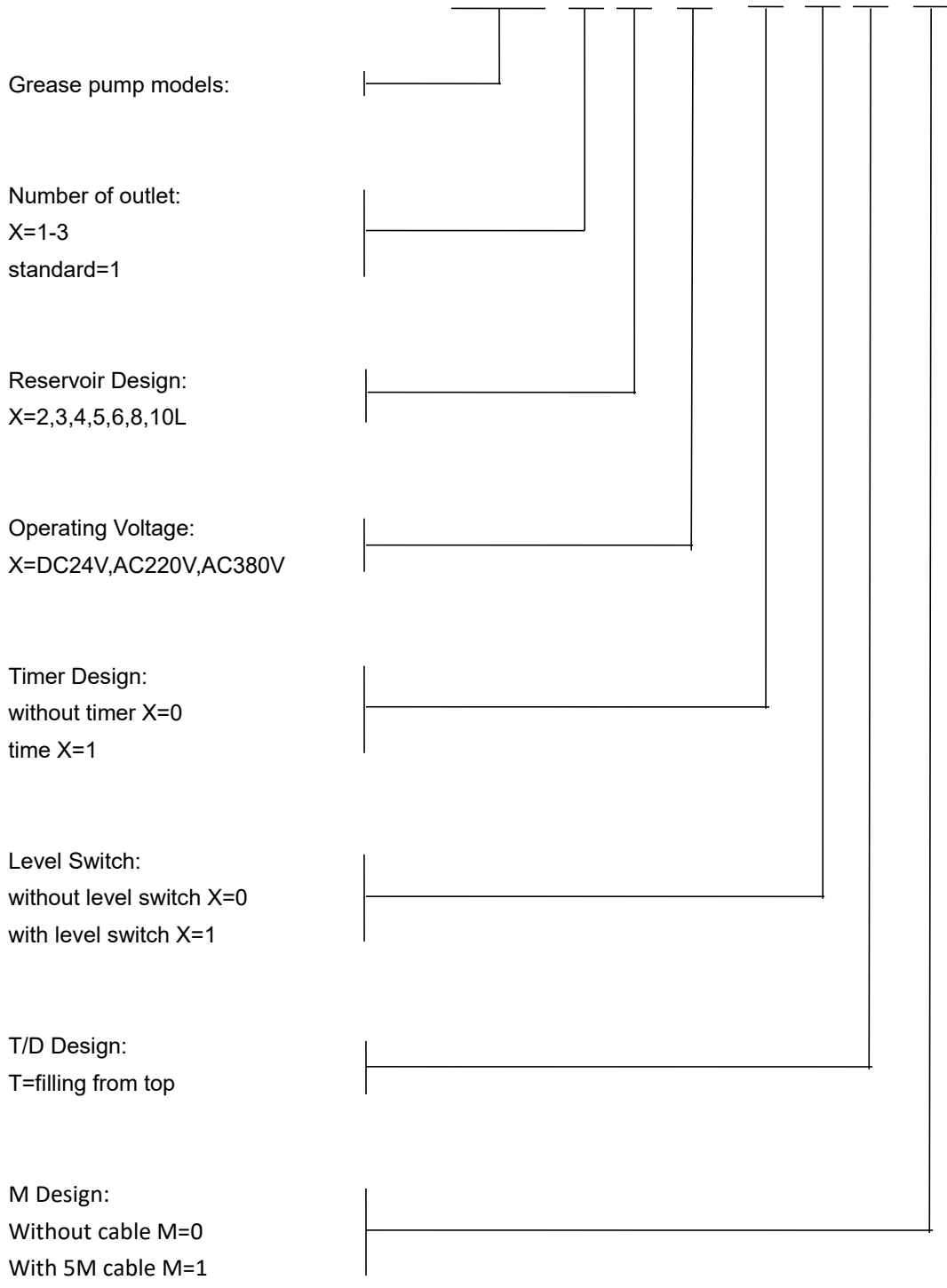
Popular 20703 Models

P/N	Model	Voltage (V)	Reservoir (L)	Timer	Level switch	Discharge per stroke (ml/min)
125241010	P20703-1N-25L-24V-1T-0S-T-0M	24VDC	2.5	yes	no	5.5
125241115	P20703-1N-25L-24V-1T-1S-T-5M	24VDC	2.5	yes	yes	5.5
225241100	P20703-2N-25L-24V-1T-1S-D-0M	24VDC	2.5	yes	yes	5.5
33241000	P20703-3N-3L-24V-1T-0S-D-0M	24VDC	3	yes	no	5.5
14241110	P20703-1N-4L-24V-1T-1S-T-0M	24VDC	4	yes	yes	5.5
14240010	P20703-1N-4L-24V-0T-0S-T-0M	24VDC	4	no	no	5.5
142201015	P20703-1N-4L-220V-1T-0S-T-5M	220VAC	4	yes	no	3
15241005	P20703-1N-5L-24V-1T-0S-D-5M	24VDC	5	yes	no	5.5
16241100	P20703-1N-6L-24V-1T-1S-D-0M	24VDC	6	yes	yes	5.5
162200015	P20703-1N-6L-220V-0T-0S-T-5M	220VAC	6	no	no	3
182201105	P20703-1N-8L-220V-1T-1S-D-5M	220VAC	8	yes	yes	3
183801015	P20703-1N-8L-380V-1T-0S-T-5M	380VAC	8	yes	no	3
1102200000	P20703-1N-10L-220V-0T-0S-D-0M	220VAC	10	no	no	3
1123801115	P20703-1N-12L-380V-1T-1S-T-5M	380VAC	12	yes	yes	3

P/N's Code Pump Models 20703

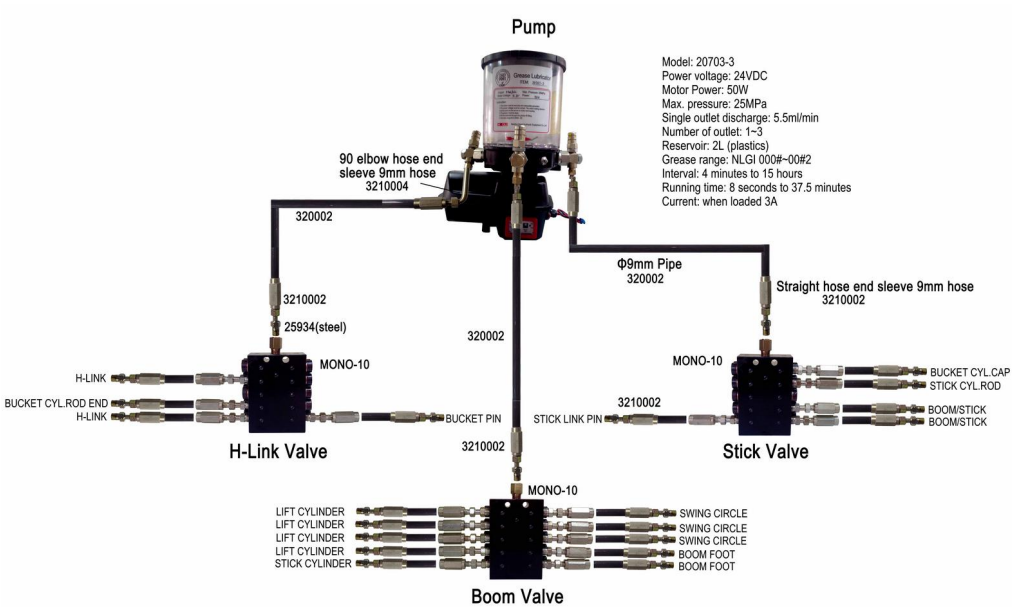
Examples of P/N Designation

P20703 - XN - XL - XV - XT - XS -T/D - XM
P20703 - 1N - 25L - 24V - 1T -1S - T - 5M
P20703 - 3N - 3L - 24V - 0T -0S - D - 0M
P20703 - 1N - 4L - 220V - 1T - 0S - T - 0M
P20703 - 1N - 8L - 380V - 0T - 1S - D - 5M

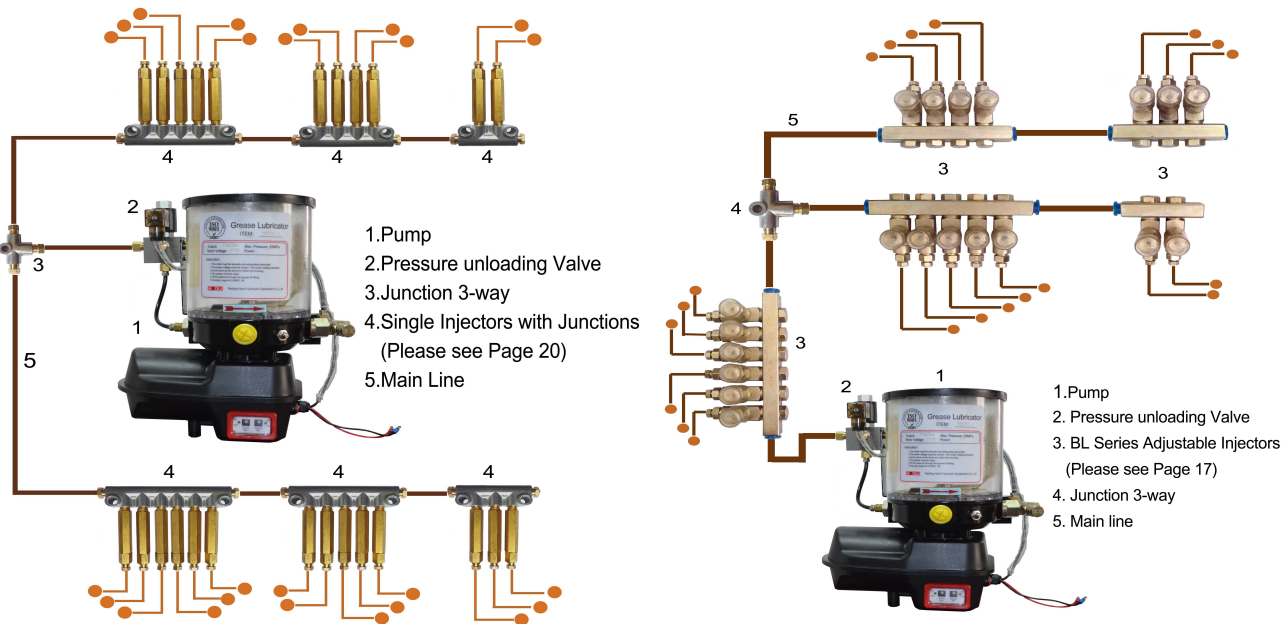


Application of DZGK Motorized Grease Lubricator

Grease lubrication system (PRG)

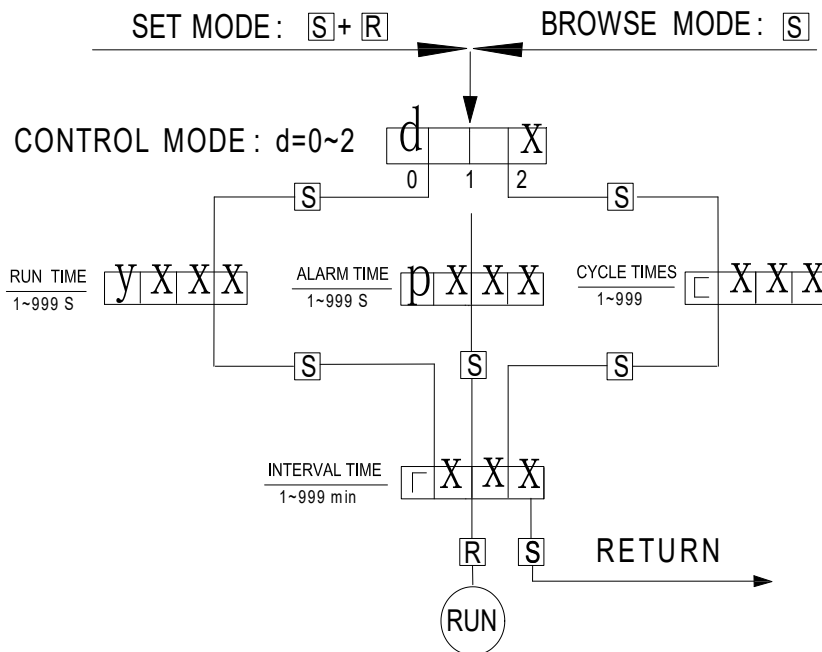


Grease injector lubrication system (PDI)



TC-2 Grease Controller

HLGC-1 is designed for controlling and monitoring of centralized lubrication systems of engineering machinery, chassis and lubrication stations. The control unit use LCD to display information.



P/N	Model	Voltage(V)	Timer
40003	TC-2	24VDC	YES
40004	TC-2	220VAC	YES

Y6020 Electric grease pump (P/N20800)

Drum electric grease pump can be connected with battery (DC-24V) of the engineering machinery, easy to use, the output pressure is high, the output is adequate. As the special products of excavator, it's economic enough when repairing the engineering machinery. Widely used in ports, mines, steel mills stone field, garages, specialized in the field of manufacturing production line and so on many products. 220V Drum electric grease lubrication pump can be inserted into the grease barrel directly in the workshop without air source, so as to prevent oil from the oil into the machine barrel, more easy and convenient to use.

Application:

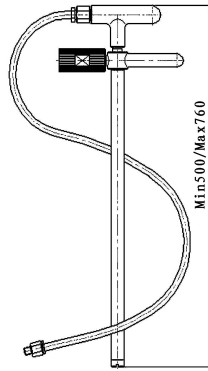
For high viscosity grease injection.
Suitable for all kinds of power machine grease injection especially in Mining area, building area, earth moving area.

- Power supply AC220V/DC24V/DC12V
- Barrel capacity: 20-30L
- Output capacity : 0.6L/min
- Output pressure : < 350kg
- Grease range: NLGI 000#~00#3
- Weight : 25kg
- Drum inner diameter : 280-320mm

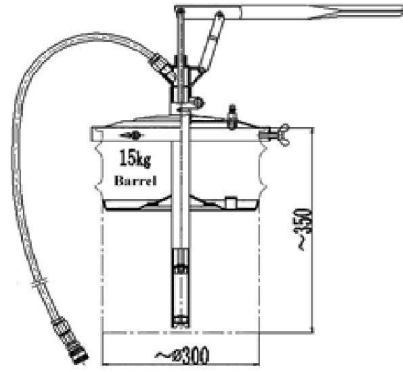


SQ Grease filler series

SQ manual grease filler is a tool to manually send grease in barrel to various grease pump reservoirs; They can effectively prevent air from mixing into grease as well as other grease pollution. It is a necessary filling tool on various grease lubrication sites.



SQ-1



SQ-2

P.N.	Model	Amount of fill	Filling pressure	Filling port thread	Grease filled
		ML/CYC	MPa		
20770	SQ-1	50	0.8	Quick plug	NLGI 000#~2#
20780	SQ-2		1.0		

Remark: Optional filling port thread are available. Please specify at time of order.

QZ High pressure oil injector

It is driven by compressed air, the grease is delivered by high pressure.

It can realize the filling grease mechanization, raise the production efficiency and reduce labor intensity, convenient in operation, safe and reliable;

It is used in filling grease and oil for automobile, tractor and other power machine.



P/N	Type	Pressure ratio	Input pressure	compressed air	Discharge	Oil viscosity	Grease viscosity	Pipe length	Weight
			MPa	MPa	L/min				
20791	QZ	50:1	25~35	0.5~0.7	0~0.8	≥N68	000#~2#	5m	5kg

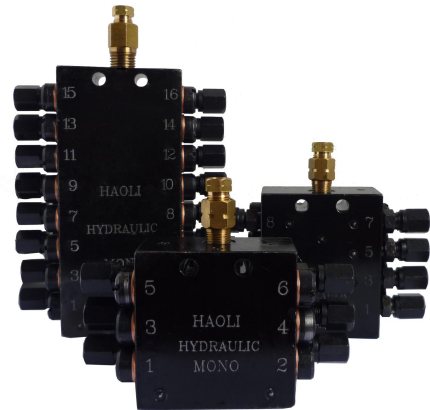
MONO Progressive Distributor

General

The MONO series progressive distributor is designed for small-size progressive lubrication systems. They are a cost efficient solution for supplying multiple lubrication points with relatively small volumes of oil and grease. The MONO series can be used with machine tools, processing machinery, presses, textile, printing and packaging machinery. The MONO is also suitable for mobile applications, including off-road equipment.

Technical data

Operating pressure max	30Mpa
Discharge per outlet	0.25g /cyc
Ambient temperature	-20°Cto +80°C
Grease lubricants	NLGI 000 # to 2#; Oil ISO VG 68 to 1500 at operating
Advantage	1.No rubber seals 2.Combining of outlets 3.Exact lubricant metering 4.High operating pressure



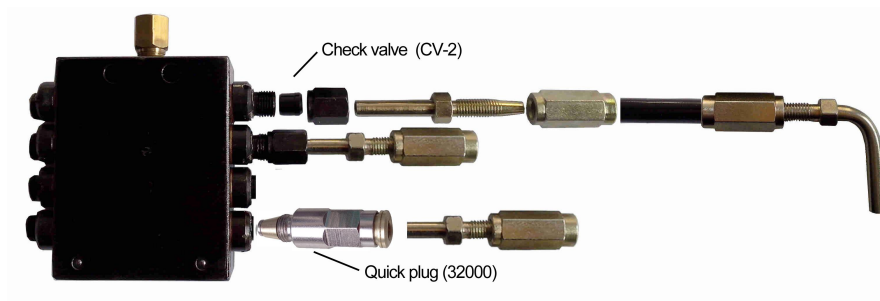
How to Order

Symbol	06	08	10	12	14	16	18	20
Outlet Number	6	8	10	12	14	16	18	20
P/N	Mono-06	Mono-08	Mono-10	Mono-12	Mono-14	Mono-16	Mono-18	Mono-20

*The example for reference

P/N **Mono-06** 06: Number Of Outlets.

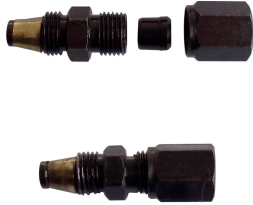
Application:



Check valve of MONO

Outlet fitting with check valve of MONO

P/N CV-1 (for 4mm pipe)
CV-2 (for 6mm pipe)



High pressure Quick plug in fittings

Check valve for 6 mm tube with reinforced collet and smooth flange .

Pressure:30MPa

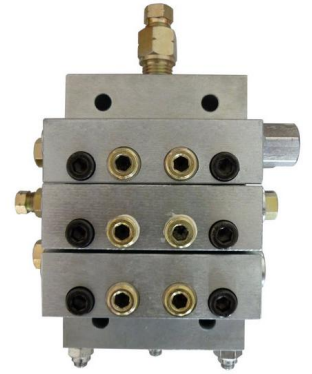
P/N. 32000 (for 6mm pipe)



Part No.	Figure	Material.	Name.	Stud Φ
323001		Steel	Check Valve	6mm
323002		Steel	Sleeve	6mm
323003		Steel	Compression Nut	6mm
323004		Brass	Brass Washer	6mm
323008		Steel	Plug	6mm

M2500 Progressive Distributor

A typical M2500 progressive distributor consists of an inlet section, an end section and no less than 3 sections and no more than 10 sections. A progressive distributor can have 3 to 20 outlets. Twice outlet section (Add "T" after section specification means twice outlet section) have two outlets at both side of the section. Single outlet section (Add "S" after section specification means single outlet section) have an outlet at one side of the section. Please pay attention that you can block any out otherwise the progressive distributor can not work.



Technical data

Max work pressure: 25MPa

Delivery: 0.08ml/cyc ~ 1.28ml/cyc

Lubricant viscosity (under standard temperature):

oil ≥ N68, grease: NLGI 000# ~ 2#

Work temperature: -20 °C ~ +60 °C

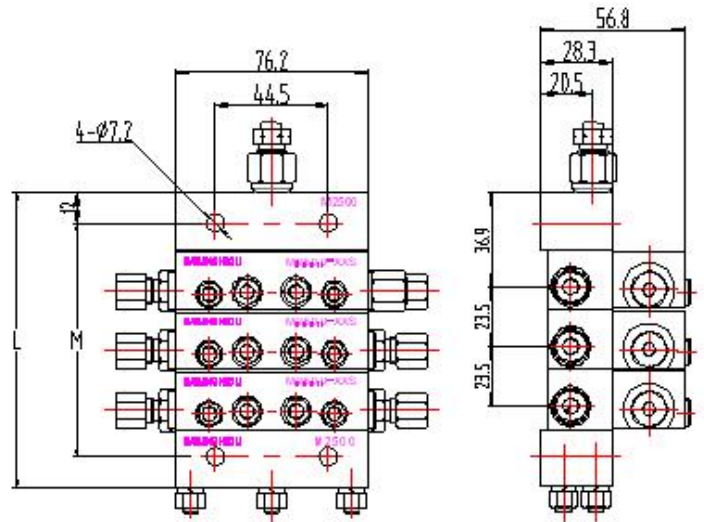
Max work frequency (with stem): 60 cyc/min

Max work frequency (without stem): 200 cyc/min

Manifold number: 3 ~ 10

Outlet: Φ6mm length: 1.2 ~ 3.5m Φ8mm

length 1.5 ~ 4.5m



M2500 Valve Size

P/N		Valve Size	Discharge per Hole (mL/cyc)		Max Pressure (MPa)	Min Working Pressure (MPa)
Twin outlet	Single		Twin	Single		
22500-05T	22500-05S	05	0.08	0.16	25	1.4
22500-10T	22500-10S	10	0.16	0.32		
22500-15T	22500-15S	15	0.24	0.48		
22500-20T	22500-20S	20	0.32	0.64		
22500-25T	22500-25S	25	0.41	0.82		
22500-30T	22500-30S	30	0.49	0.98		
22500-35T	22500-35S	35	0.57	1.14		
22500-40T	22500-40S	40	0.64	1.28		

Note:

1. Only the valve size up to 20 can install the indicator;
2. User shall specify changed inlet/outlet diameter, when ordering;
3. Never block outlet of a distributor so as to avoid over pressure damage to the distributor;
4. In order to assemble properly, please machine reserve two fixed holes of the inlet section (or end section) on the machine. Because progressive divider valve, the distance between the fixed holes will change within a little range. Machining two holes per the progressive divider valve actual dimension when fixing the progressive divider valve.

M2500 Dimension

No. Of Working Segments	M (mm)	L (mm)	No. Of Working Segments	M(mm)	L (mm)
3	91	122	7	185	215
4	114	145	8	208	239
5	138	169	9	231	262
6	161	192	10	255	285

DJF1000 Series Distributors

The DJF1000 Series distributors distributes and proportions incoming oil or grease to bearing points. A typical DJF1000 distributor consists of an inlet section, three to nine valves and an end section. One assembly can serve up to a maximum of 18 lubrication points.

The DJF1000 Series distributors have a sliding discharge piston and built-in outlet check valves. Blocks are offered in three output sizes. The discharge capacity of a block is determined by varying the piston diameter in the valve block. Valve blocks have two outlets located at each end of the assembly (double outlet blocks) and supply rated discharge outputs from each of the two outlets during one complete valve cycle.

Technical data

Max work pressure: 16MPa

Delivery: 0.08ml/cyc ~ 0.48ml/cyc

Lubricant viscosity (under standard temperature):

oil≥N68;grease:NLGI 000#~2#

Work temperature:-20℃~+60℃

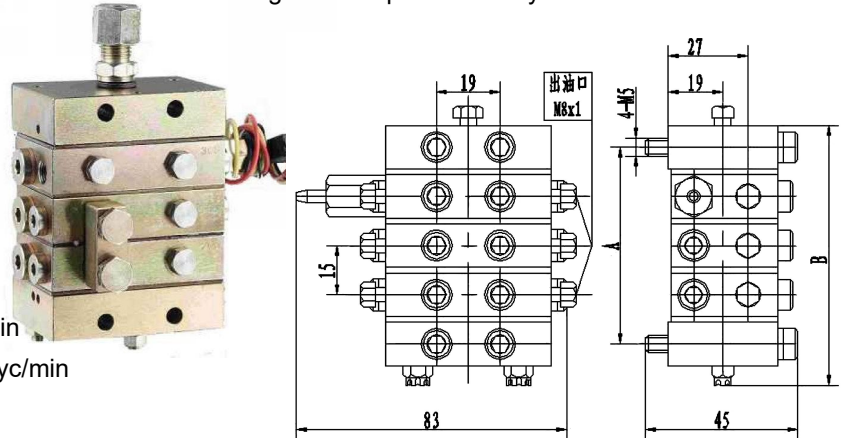
Max work frequency (with stem):60cyc/min

Max work frequency (without stem):200cyc/min

Manifold number:3~8

Tubing: Outlet: Φ4mm length: 0.5~2.5m

Inlet: Φ6mm length:1.2~3.5m



DJF-1000 Dimension

No. Of Working Segments	A (mm)	B (mm)	No. Of Working Segments	A (mm)	B (mm)
3	59.3	80.0	6	104.6	125.0
4	74.7	95.0	7	119.6	141.0
5	89.5	110.0	8	134.7	156.0

DJF1000 Parameter

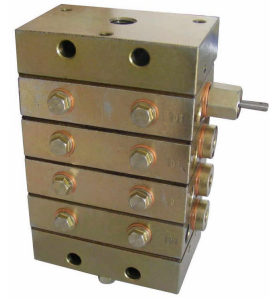
P.N.	Valve Size	Discharge	Max Pressure	Min Pressure	inlet Screw	Inlet Pipe	Outlet screw	Outlet pipe	Outlet per Segment
		mL/Cyc							
20710	1000-5T	0.08	16	1.4	M10×1	Φ6	M8×1	Φ4	2
20711	1000-05	0.16							1
20712	1000-10	0.16							2
20713	1000-10	0.32							1
20714	1000-15	0.24							2
20715	1000-15	0.48							1

Note:

1. Cycle indicator can be mounted on 1.5T or 1.5S sections;
2. User shall specify changed inlet/outlet diameter, when ordering;
3. Never block outlet of a distributor so as to avoid over pressure damage to the distributor;
4. Smallest segments group shall have 3 sections; largest segments group shall have 8 sections.

DJF2000 series distributors

DJF2000 series distributors suited for high ambient temperature. With manual lubricator, motorized lubricator and pneumatic lubricator can form single line lubrication system. Widely be used in large machine tool and harbour machines. A typical DJF2000 distributor consist of a inlet section, a end section and no less than 3 sections and no more than 10 sections. A distributor can have 3 to 20 outlets. Twice outlet section (Add "T" after section specification means twice outlet section) have two outlets at both side of the section. Single outlet section (Add "S" after section specification means single outlet section) have an outlet at one side of the section. Please pay attention that you can block any out otherwise the progressive distributor can not work.



Technical

Max work pressure: 25MPa

Delivery: 0.16ml/cyc ~ 1.12ml/cyc

Lubricant viscosity (under standard temperature) : oil ≥

N68, grease: NLGI 000#~2#

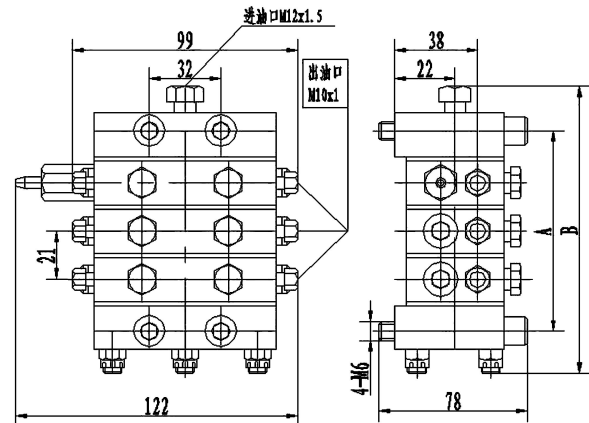
Work temperature: -20℃~+60℃

Manifold number: 3~10

Tubing: Outlet: Φ6mm length: 1.2~3.5m

Inlet: Φ8mm length:1.5~4.5m

Manifold Material: carbon steel



DJF-2000 Dimension

Number Of Working Segments	A (mm)	B (mm)	Number Of Working Segments	A (mm)	B (mm)
3	89.4	143.0	7	171.8	223.0
4	110.0	163.0	8	192.4	244.0
5	130.6	183.0	9	213.0	264.0
6	151.2	203.0	10	233.6	284.0

DJF-2000 Specification

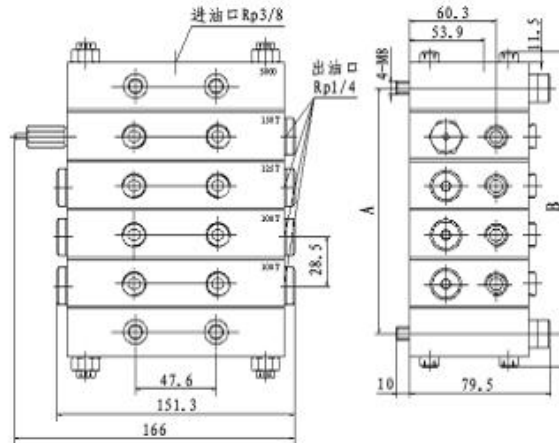
P.N.	Valve Size	Discharge ml/cyc	Max Pressure MPa	Min Working Pressure MPa	Inlet Screw	Inlet Pipe	Outlet Screw	Outlet Pipe	Outlet per Slice
20721	2000-10	0.32	1						
20722	2000-15T	0.24	2						
20723	2000-15	0.48	1						
20724	2000-20T	0.32	2						
20725	2000-20	0.64	1						
20726	2000-25T	0.40	2						
20727	2000-25	0.80	1						
20728	2000-30T	0.48	2						
20729	2000-30	0.96	1						
207210	2000-35T	0.56	2						
207211	2000-35	1.12	1						

Notes:

1. Cycle indicator can be mounted on 20T or 20S sections;
2. User shall specify changed inlet/outlet diameter. when ordering;
3. Never block outlet of a distributor so as to avoid over pressure damage to the distributor;
4. See "Accessories of distributors---crossing port" for crossing port selection;
5. Smallest segments group shall have 3 sections; largest segments group shall have 10 sections.

DJF3000 series distributors

DJF3000 series distributors suited for high ambient temperature. With manual lubricator, motorized lubricator and pneumatic lubricator can form single line lubrication system. Widely be used in large machine tool and harbour machines. A typical DJF3000 distributor consist of a inlet section, a end section and no less than 3 sections and no more than 10 sections. A distributor can have 3 to 20 outlets. Twice outlet section (Add "T" after section specification means twice outlet section) have two outlets at both side of the section. Single outlet section (Add "S" after section specification means single outlet section) have an outlet at one side of the section. Please pay attention that you can block any out otherwise the progressive distributor can not work.



Technical

Max work pressure: 25MPa

Delivery: 0.4ml/cyc ~ 4.8ml/cyc

Lubricant viscosity (under standard temperature) :

oil ≥ N68, grease: NLGI 000#~2#

Work temperature: -20℃~+60℃

Manifold number: 3~10

Tubing: Outlet: Φ8mm length: 1.5~4.5m

Inlet: Φ10mm length:1.8~5.5m

Manifold Material: carbon steel

DJF-3000 Dimension

Number Of Working Segments	A (mm)	B (mm)
3	128.6	167.9
4	157.1	196.5
5	185.7	225
6	214.3	253.6
7	242.9	282.2
8	271.4	310.8
9	300	339.9
10	328.6	367.9

DJF-3000 Specification

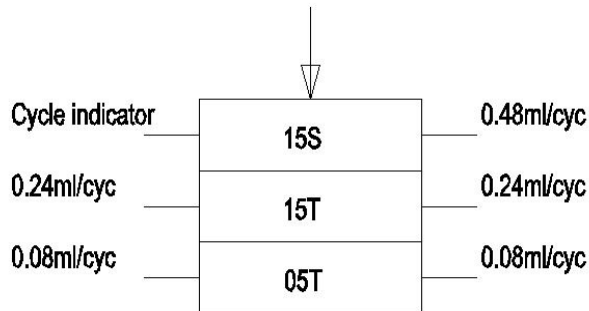
P.N.	Valve Size	Discharge	Max Pressure	Min Working Pressure	Inlet Screw	Inlet Pipe	Outlet Screw	Outlet Pipe	Outlet per Segment
20730	3000-25T	0.40	25	1.4	Rp3/8	Φ10	Rp1/4	Φ8	2
20731	3000-25S	0.80							1
20732	3000-50T	0.80							2
20733	3000-50S	1.60							1
20734	3000-75T	1.20							2
20735	3000-75S	2.40							1
20736	3000-100	1.60							2
20737	3000-100	3.20							1
20738	3000-125	2.00							2
20739	3000-125	4.00							1
207310	3000-150	2.40							2
207311	3000-150	4.80	1						

- Notes: 1. Cycle indicator can be mounted on 50T or 50S sections;
2. User shall specify changed inlet/outlet diameter. when ordering;
3. Never block outlet of a distributor so as to avoid over pressure damage to the distributor;

4. See "Accessories of distributors---crossing port" for crossing port selection

How to order DJF1000 and DJF2000 and DJF3000 and M2500 series distributors

Example 1: Sketch of DJF-1000 distributor ordering



DJF1000 - 3 - 7 (15SR-7L . 15T . 05T)
A B C D E F G

A: Indicate the type: DJF-1000;

B: indicates number of sections (3 in this case)

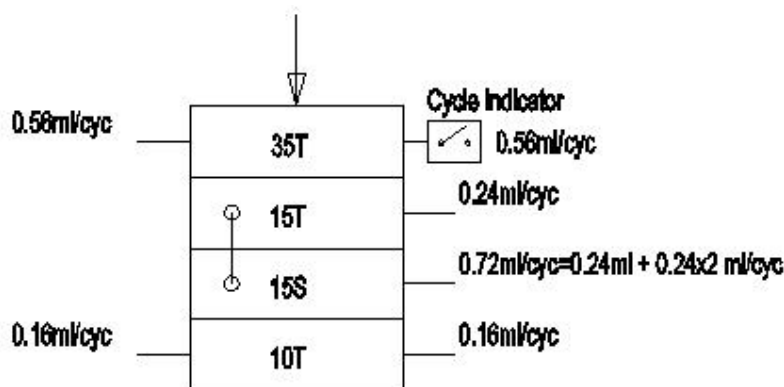
C: indicates cycle indicator (7 for mechanic indicator pin,8 for electric micro-switch type cycle indicator)

D: contents in parenthesis indicates sizes of discs after the first section listed according to their sequence

E. Size of first sections in the sequence is 15.S indicates single outlet and R shows outlet to right (and L for left). 7L indicates mechanic pin type cycle indicator installed in left (and R for right).

F. Size of second section in the sequence is 15. T indicates twin outlet.

Example 2: Sketch of DJF-2000 distributor ordering



DJF2000 - 4 - 8 (35T-8R . CF15T . 15SR . 10T)
A B C D E F G H

A: Indicates the type: DJF-2000;

B: indicates number of sections (4 in this case)

C: indicates cycle indicator 8: micro switch type cycle indicator

D: contents in parenthesis indicates sizes of sections after the first sections listed according to their sequence

E. Size of first sections in the sequence is 35.T indicates twin outlet and 8R shows that series 8 indicators is at the right end face of the sections.

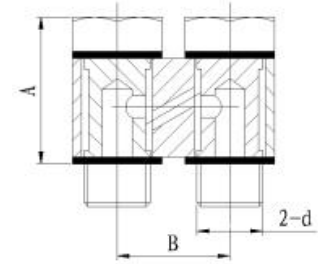
F. Size of second sections in the sequence is 1 front left side of the sections. CF placed before size 15 shows that the crossport is on the left side; if it is placed after size 15, the crossport will be on the right side.

G. Size of third sections in the sequence is 15. SR indicates s

H. Size of the 4th sections is 10. T indicates twin outlet.

Crossport

P/N	Description	A (mm)	B (mm)	2-d
32265-1	1000 cross port kit	19	15	2-G1/8
32265-2	2000 cross port kit	22	21	2-M8
32265-3	2500 cross port kit	22	21	2-M8

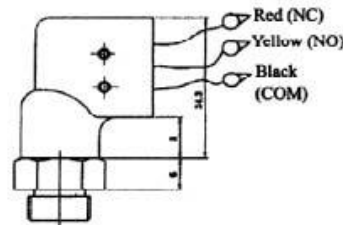


Electro-mechanical switch

The electro-mechanical switch is a device to monitor flow of lubricant in the system. It makes use of the reciprocal movement of indicator pin on the piston of progressive distributor to enable opening or closing of the electro-mechanical switch inside the cycle indicator, so as to send electric signals to host control system. Once an abnormality occurs in the lubrication system, the host control system will be able to send alarm or stop the operation of the host to facilitate timely maintenance.

Electrical data of electrical-mechanical

Contact capacity: 250VAC 1A
125VAC 3A

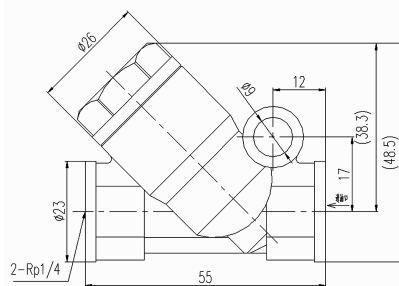


High pressure quick plug

P/N	Figure	Diameter(φA)	Thread (G)	D	Pressure (MPa)
31000		4	M8×1	6	20
31001		4	M10×1	6	
31002		4	R1/8	6	
31003		6	M8×1	6	
31004		6	M10×1	6	
31005		6	R1/8	6	

ELS Grease Filter

ELS grease filters effectively remove grease impurities to ensure clean grease in lubrication systems. They have not clogging function. e. Therefore, they are widely used in grease lubrication systems.

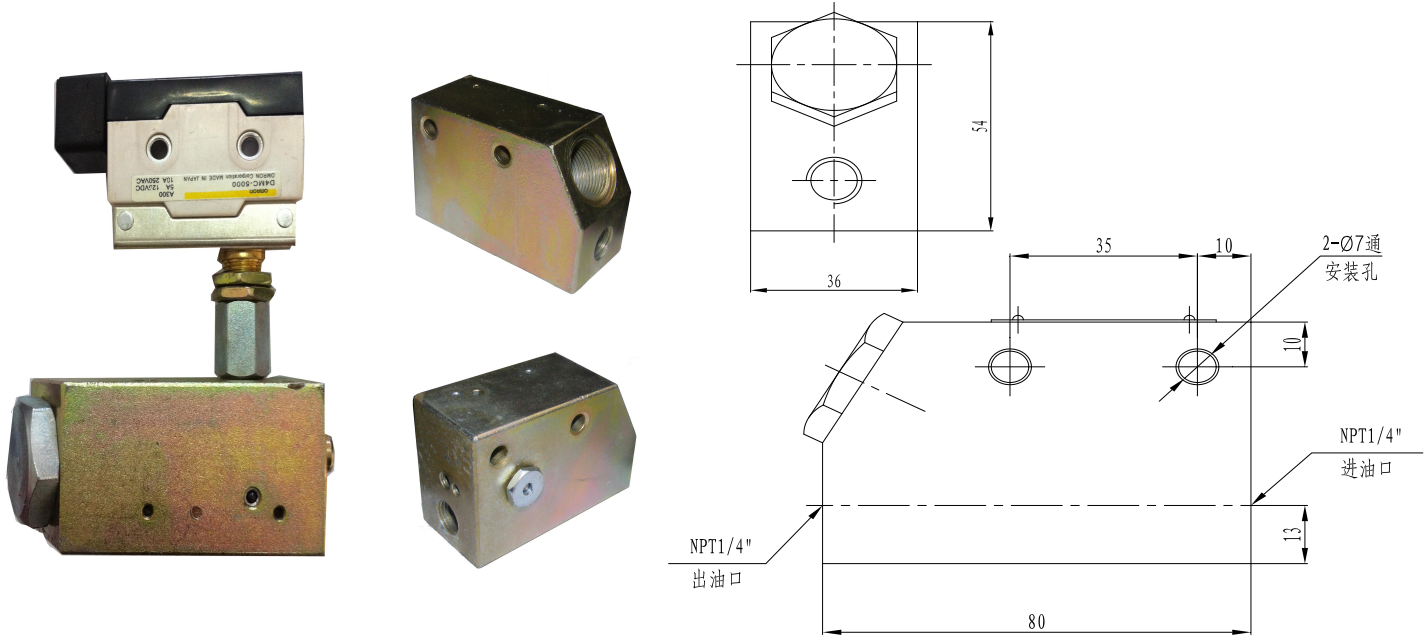


Mode	ELS
P/N	20801
Working Pressure	25MPa
Filter	150μm
Weight	210g

LS Grease Filter

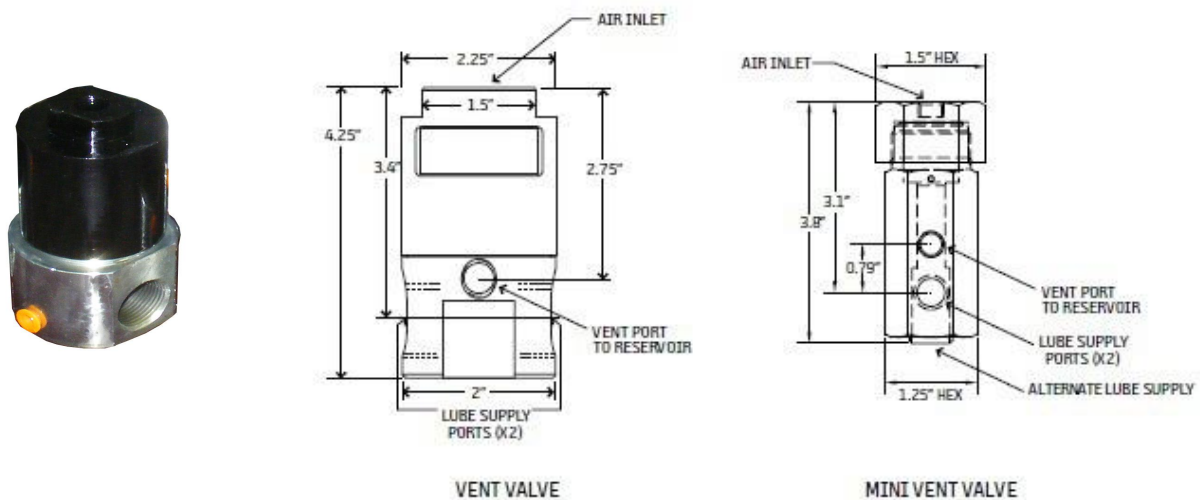
LS grease filters effectively remove grease impurities to ensure clean grease in lubrication systems.They have clogging function.Therefore, they are widely used in grease lubrication systems.

P/N	Model	Max Pressure(Mpa)	Filter (μm)	Remark
20802	LS-02-106	25	150	Without clogging indicator
20803	LS-02-206			With clogging indicator
20804	LS-02-2065			With clogging & level switch



Vent Valves (P/N 33080)

Vent Valve is used with injectors to relieve system pressure back to reservoir after a lubrication cycle.With a pneumatic operated drum pump, air pressure would be applied to the vent valve at the same time as the pump.When air pressure is relieved from pump supply and vent valve, lubricant moves past the valve seat and out vent port, and piped back to the drum.



Maximum Lubricant Pressure: 3800psi (262bar)

Maximum Air Pressure: 120psi (8bar)

Minimum Air Pressure: 40psi (3bar)

P/N	Air inlet	Vent port	Lube supply(X2)	Alt supply	Recommended Lubricants
33080	1/4NPTF	1/4NPTF	3/4NPTF	-	OIL TO NLGI # 2 GREASE

SL Series Injectors (P/N 33081)

- Viton O-rings standard to protect against high heat & synthetic lubricants
- All injectors are shipped with vinyl cover caps standard
- Operating pressures to 1,000 psi
- Adjustable oil output
- Visual operating indicator pin
- Includes feed line fill fitting

SL Series Specifications

Operating Pressure :Max 1000 psi (69 BAR) ; Minimum 750 psi (52 BAR)

Lube Output: - Adjustable .050 cu. in. (.82 cc) - .500 cu. in. (8.2 cc)

Vent/Relief Pressure:150 psi (10 BAR) or less

Lubricants Oil - semi fluid grease

Seals Viton o-rings (70 durometer) & hytrel packings

Max Temperature: 200°F (93°C)

Material :Steel with zinc and yellow chromate plating

Pipe Connections :Injector inlet - 1/2" NPT ;Injector outlet - 1/4" NPT



BL Series Grease Adjustable Injectors

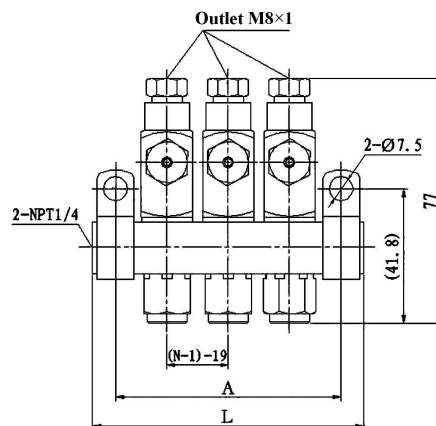
Single and manifold injectors are adjustable up to 0.003 cubic inches discharge per cycle.Each manifold includes two mounting clips and screws (1/4"-20 thread x 1/2" long hex head).

Adjustment

Injector output is controlled by the position of the indicator cap. The location of the cap determines the travel of the discharge piston. When the indicator is fully tightened onto the measuring chamber,lubricant output is decreased to a minimum. Retracting the indicator cap two full turns permits a maximum of .003 cu. in. to be discharged. Turning the indicator cap beyond two full turns will not increase lubricant output. When the individual injector has been adjusted to the desired output,tighten locknut against face of the indicator cap.

Check discharge output from injector if cap is adjusted to less than 1/2 turn from minimum.

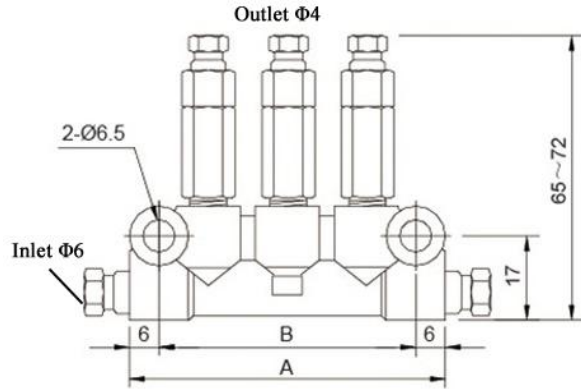
Use a clean oil type and viscosity as recommended by machine manufacturer. Check compatibility with synthetic lubricants.



Technical Data

P.N.	Model	Number of outlets	Work Pressure	Viscosity	Discharge	A	L
		N	MPa			mm	mm
33071	BL	1	8.3~24.1	000#~2#	0.016 ~0.131	32	44
33072		2				51	63
33073		3				70	82
33074		4				89	101

DLX Single Injectors



P/N	Model	Number of outlets	Discharge (ml/cyc)	A	B
36000-XX	DLX	2	0.025/0.06/0.1/0.2/0.3/0.4/0.5	48	34-36
36000-XXX		3		64	49-52
36000-XXXX		4		80	65-68
36000-XXXXXX		5		96	79-84
36000-XXXXXXX		6		112	95-100
36000-XXXXXXXX		7		128	109-116
36000-XXXXXXXXXX		8		144	123-132
36000-XXXXXXXXXXX		10		176	153-164

Please indicate reference and discharge when ordering.

Discharge (ml/cyc)	025	06	10	20	30	40	50
Method of indication	0.025	0.06	0.1	0.2	0.3	0.4	0.5

X: indicates flow rate code

T: indicates a complete assembly, i.e. including adaptors and compression sleeves.


If product P/N. is 36000T-XXX etc., T indicates that adaptor, compression sleeve and bushing shall be provided at inlets and outlets.

Accessories





Sleeve of tube

P/N	Figure	Description	Material	I.D.
330001		Spiral sleeve of tube	PP	9
330002				11
330003			PA	9
330004				11
330005		Weaving sleeve of tube	PE	9
330006				11
330007			PA	9
330008				11

High pressure tubes

P/N	Figure	Description	O.D.
320000		hose working pressure 300bar-grease filled	6
320001		hose working pressure 300bar-empty	6
320002		hose working pressure 300bar-grease filled	9
320003		hose working pressure 300bar-empty	9
320004		hose working pressure 300bar-grease filled	11
320005		hose working pressure 300bar-empty	11

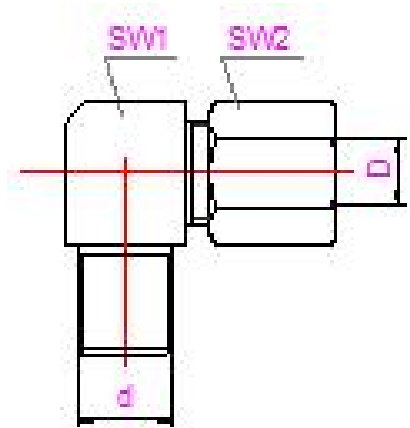
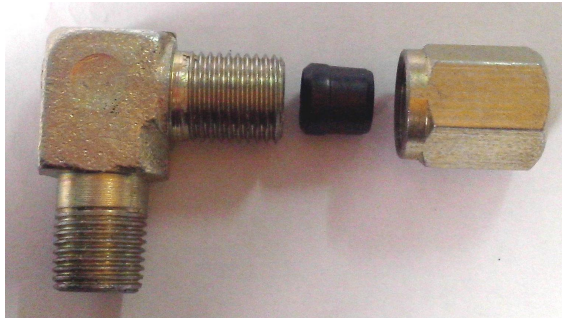
Reusable hose tail for hose

P/N	Figure	Description	Stud Φ
3210001		Hose end sleeve, <i>Female thread is M7</i>	9mm
3210005		Hose end sleeve, <i>Female thread is M7</i>	11mm
3210002		Straight Hose end stud, <i>Male thread is M7</i>	9mm
3210006		Straight Hose end stud, <i>Male thread is M7</i>	11mm
3210003		90 elbow hose end stud, <i>Male thread is M7</i>	9mm
3210007		90 elbow hose end stud, <i>Male thread is M7</i>	11mm
3210004		45 hose end stud, <i>Male thread is M7</i>	9mm
3210008		45 hose end stud, <i>Male thread is M7</i>	11mm

Tube clamp

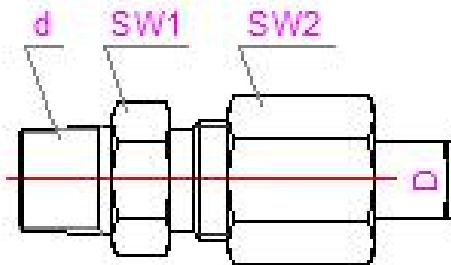
P/N	Figure	Description	I.D. mm		
330006		Tube clamp with rubber lining	6		
330008			8		
330010			10		
330011			11		
330012			12		
330015			15		
330018			18		
330020			20		
330022			22		
330024			24		
330025			25		
330008-6				Plastic tube clamp-single	6
330008-8					8
330008-9.5	9.5				
330008-10	10				
330008-12	12				
330008-14	14				
330008-16	16				
330008-18	18				
330008-20	20				
330008-25	25				
330009-6	Plastic tube clamp-double	6			
330009-8		8			
330009-9.5		9.5			
330009-10		10			
330009-12		12			
330009-14		14			
330009-16		16			
330009-18		18			
330009-20		20			
330009-25	25				

Elbow compression Fittings



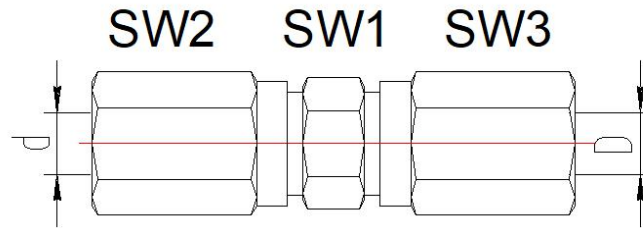
P.N.	Material	Tube D	d	Description	SW1	SW2
322001	steel	Φ6	M6×1	90 elbow 6mm tube to M6×1	11	12
322002		Φ6	M8×1	90 elbow 6mm tube to M8×1	11	12
322003		Φ6	M10×1	90 elbow 6mm tube to M10×1	11	12
322004		Φ6	NPT1/8	90 elbow 6mm tube to NPT1/8	11	12
322005		Φ6	PT1/8	90 elbow 6mm tube to PT1/8		
322006		Φ6	PT1/4	90 elbow 6mm tube to PT1/4		
322007		Φ6	NPT1/4	90 elbow 6mm tube to NPT1/4		

6mm Straight Fittings



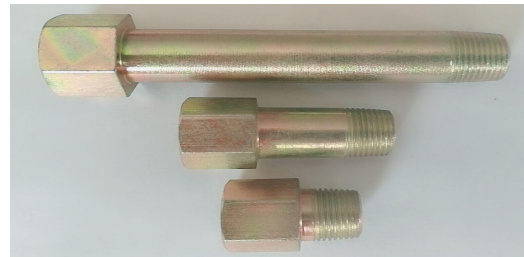
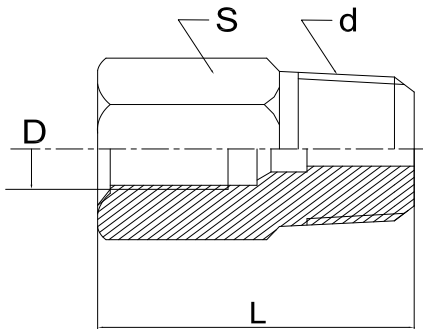
P.N.	Material	Tube D	d	Description	SW1	SW2
322101	steel	Φ6	M6×1	Straight 6mm tube to M6×1	11	12
322102		Φ6	M8×1	Straight 6mm tube to M8×1	11	12
322103		Φ6	M10×1	Straight 6mm tube to M10×1	11	12
322104		Φ6	NPT1/8	Straight 6mm tube to NPT1/8	11	12
322105		Φ6	PT1/8	Straight 6mm tube to PT1/8	11	12
322106		Φ6	PT1/4	Straight 6mm tube to PT1/4	11	12
322107		Φ6	NPT1/4	Straight 6mm tube to NPT1/4	11	12

Tube-Tube connector
Union double



P.N.	Material	Tube D	d	SW1	SW2	SW3
322301	steel	Φ4	Φ4	9	10	10
322302		Φ4	Φ6	9	10	12
322303		Φ6	Φ6	11	12	12

Extended Straight coupling



P/N	Material	Hose	d	L	S
322401	Steel	Φ6	PT1/8	22	13
322402		Φ6	PT1/8	35	13
322403		Φ6	PT1/8	75	13

compression bushing

P/N	Figure	Material	Out diameter of pipe (D0)	D	d	L (mm)	S
28794		steel	Φ4	Φ4.2	M8×1	12	8
28795-1						14	
28795-2						17	
25934			Φ6	Φ6.1	M10×1	13.5	10
28459			Φ8	Φ8.2	M12×1	16	12
28460			Φ10	Φ10.2	M16×1.5	18	16

90° Elbow Coupling

P/N	Figure	Material	Out diameter of pipe (D0)	D	d	L (mm)	S
28455		steel	Φ6	M10×1	M8×1	22	22×14
28457					M10×1	23	
28456			Φ8	M12×1	M8×1	24	23×16
28458					M10×1	25	

Reducer coupling

P/N	Figure	Material	D	d	S	L	d5
25424-1		Steel	M10×1	M8×1	13	27	Φ3.9
25424-2			M12×1.5		16	32	
25425-1			M10×1	M10×1	13	28	Φ5.6
25425-2			M12×1.5		16	33	
25425-3			M14×1.5		18	33	
25425-4	M16×1.5	21	33				
25425-5	M18×1.5	24	33	33	33		
25427-1		Steel	M10×1	NPT1/8	13	22	Φ6
25427-2			M12×1.5		16	27	
25427-3			M14×1.5		18	27	
25427-4			M16×1.5		21	27	
25428-1		Steel	M10×1	NPT1/4	15	26	Φ8
25428-2			M12×1.5		16	31	

25428-3		M14×1.5		18		
25428-4		M16×1.5		21		
25428-5		M18×1.5		24		
25429-1		M10×1	R1/8	13	22	Φ5.5
25429-2		M12×1.5		16		
25429-3		M14×1.5		18	27	
25429-4		M16×1.5		21		
25430-1		M10×1	R1/4	15	26	Φ8
25430-2		M12×1.5		16		
25430-3		M14×1.5		18	31	
25430-4		M16×1.5		21		
25430-5		M18×1.5		24		
28451-1		M10×1	NPT1/8	13	22	Φ4
28451-2		M12×1		16	24	Φ6
28452-1		M10×1	R1/4	15	24	Φ4
28452-2	M12×1	16		26	Φ6	
28452-3	M16×1.5	21		28	Φ7	
28454-1	M10×1	NPT1/4	14	24	Φ4	
28454-2	M12×1		16	26	Φ6	
28454-3	M16×1.5		18	28	Φ7	

P/N	Figure	Material	D	d	S	L	d5
28461		Steel	M10×1	M8×1	12	27	Φ3.9
28462			M12×1	M10×1	14	30	Φ5.6
28472-1			M8×1		11	20	Φ3.4
28472-2			M10×1	R1/8	12	22	Φ4

Spring cover

P/N	Figure	Tube (mm)	d (mm)	Material	D (mm)	B (mm)	L (mm)	Surface
30131		Φ4	0.6	65	4.5	Tight	6000	Write Zinc
30132		Φ6	0.6	65	6.5	Tight	6000	Write Zinc
30220		Φ6	0.6	65	6.5	2.4	5000	Black
30133		Φ8	0.6	65	8.8	2.4	5000	Write Zinc
30217		Φ9	0.8	65	9.8	Tight	5000	Write Zinc
30218		Φ11	1	65Mn	11	5	5000	Write Zinc
30219		Φ12	0.8	65	12.5	Tight	2000	Write Zinc

High pressure flexible assemblies

P/N	Figure	D	d	S	A	L	Working pressure (MPa)
30379-400		M10×1	6	10	27.5	400	25
30379-500						500	
30379-1200						1200	
30208-600						600	
30208-1000		M12×1	8	12	30	600	24
30490-400						400	
30490-500						500	
30490-1200						1200	
30376-600		M12×1	8	12	30	600	24
30376-1000						1000	

Brush

P/N	Figure	D	L	S	A	B
30102		M8×1	58	13	20	20

Note:We can make manufacturer customer's requirements.